

# Insul-Lock™ Connectors and Panel Mounts

## Miniature 25 Amp Power Connections for Entertainment Applications

Ideal for use with LED lighting and other applications like multiple screen video walls. The rear of connector is black to blend in when used in visible areas.

Available in both inline and panel mount styles, the Hubbell's Insul-lock™ Connectors have a quick release and a vibration resistant latch. Hubbell's connections intermate with other similar brands.



### FEATURES

Connectors accept up to 12/3 AWG SO cable

Color coded blue for power in and gray for power out

Panel mount devices accept commonly available .25" Stakon connectors.

Industry standard mating

Impact-resistant thermosplastic construction

### BENEFITS

Meets NEC 520.68 requirements for extra-hard usage cords or cables.

Complies with existing industry conventions

Simplifies installation for domestic OEM's

Interchangeable with installed base

Suitable for use in UL1640 applications



# Insul-lock™ Connectors

**HUBBELL®**  
Wiring Device-Kellems

## Inline Connectors

Amps	Style	Color	Catalog Number
25 Amp	Power In	Blue	<b>HBLCPIBL</b>
25 Amp	Power Out	Gray	<b>HBLCPOGY</b>



**HBLCPIBL**



**HBLCPOGY**

## Panel Mounts

Amps	Style	Color	Catalog Number
25 Amp	Power In	Blue	<b>HBLPMIBL</b>
25 Amp	Power In, Divided	Blue	<b>HBLPMIDBL</b>
25 Amp	Power Out	Gray	<b>HBLPMOgy</b>
25 Amp	Power Out, Divided	Gray	<b>HBLPMODGY</b>



**Power In**



**HBLPMIBL**



**Divided  
HBLPMIDBL**



**Power Out**



**HBLPMOgy**

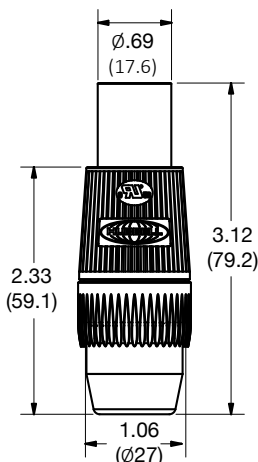


**Divided  
HBLPMODGY**

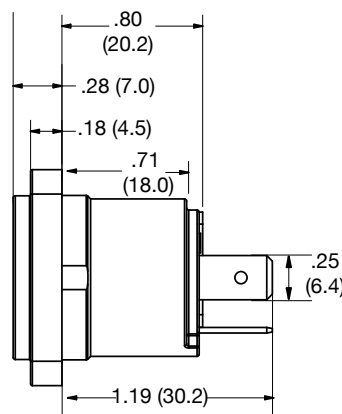
## Accessories

Panel Mount Retainer Plate	<b>HBLPMRP</b>
Panel Mount M3x.5 Screw	<b>HBLPMSC</b>

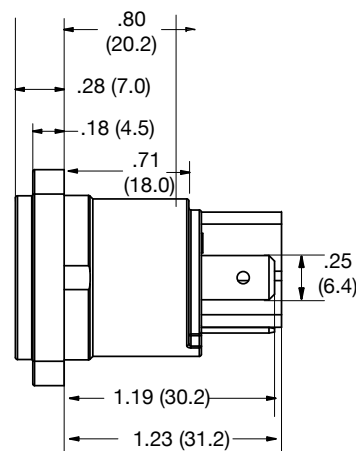
## Certifications



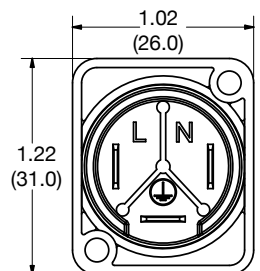
**HBLCPIBL,  
HBLCPOGY**



**HBLPMIBL,  
HBLPMOgy**



**HBLPMIDBL,  
HBLPMODGY**



**HBLPMIBL, HBLPMOgy  
HBLPMIDBL, HBLPMODGY**

**HUBBELL®**  
Wiring Device-Kellems

[www.hubbell-wiring.com](http://www.hubbell-wiring.com)

